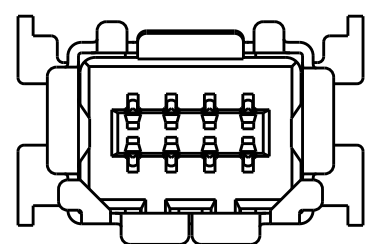


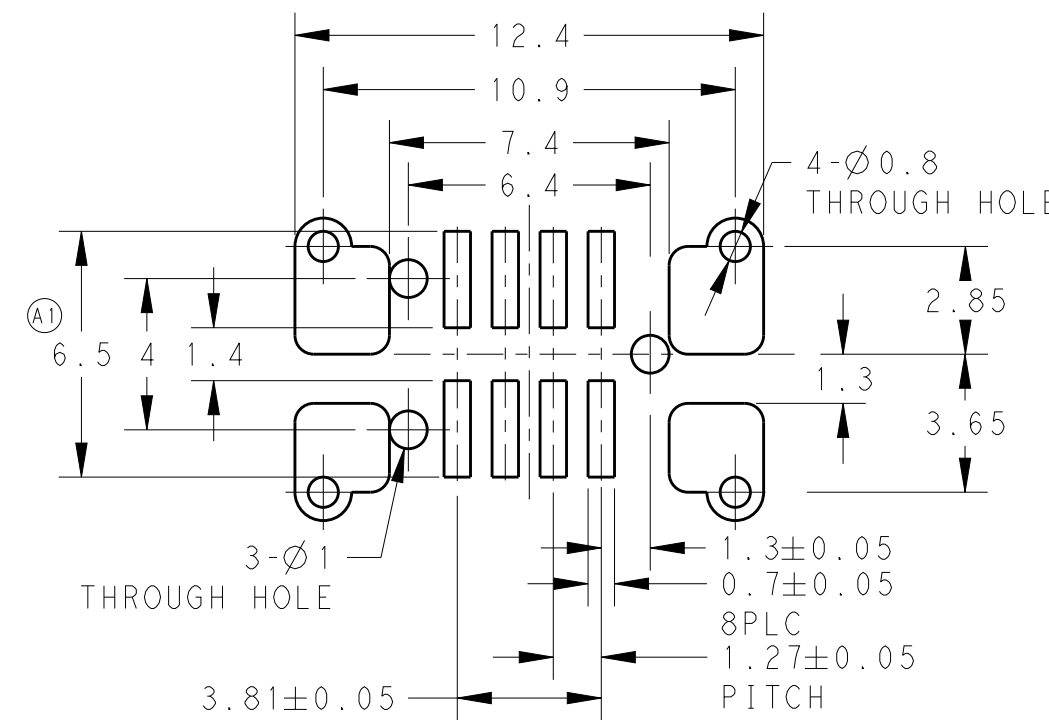
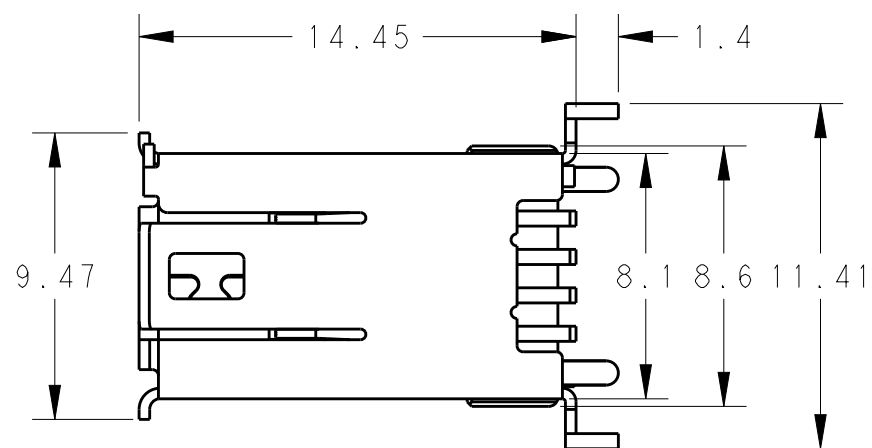
THIS DRAWING IS UNPUBLISHED. RELEASED FOR PUBLICATION. ALL RIGHTS RESERVED.

LOC	DIST
-	-

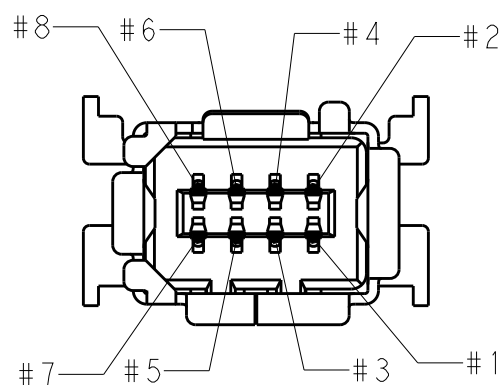
REVISIONS					
P	LTR	DESCRIPTION	DATE	DWN	APVD
A		NEW RELEASE	03MAR2013	H.W.	P.Y.
A1		REVISED	16OCT2013	H.W.	X.X.



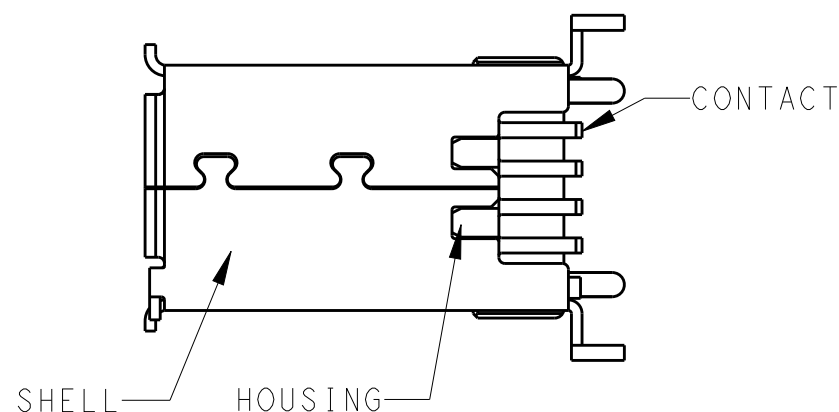
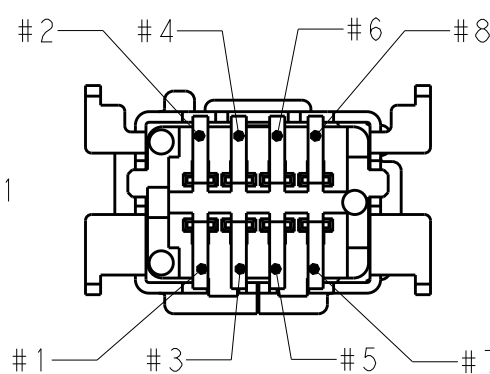
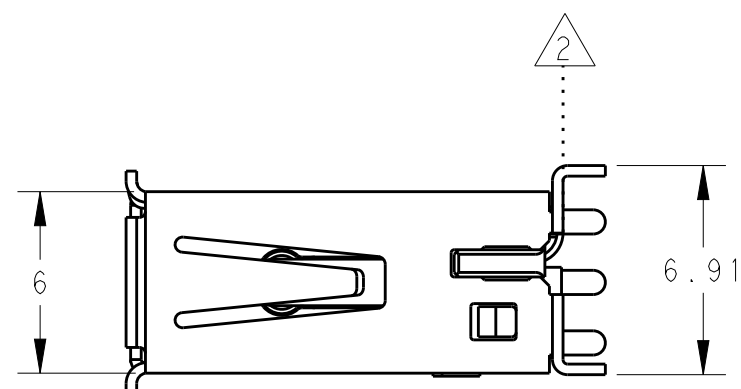
1971885-2  
TYPE II



RECOMMENDED BOARD DIMENSION  
t=1.6  
SCALE 5:1  
GENERAL TOL.: ±0.1



1971885-1  
TYPE I



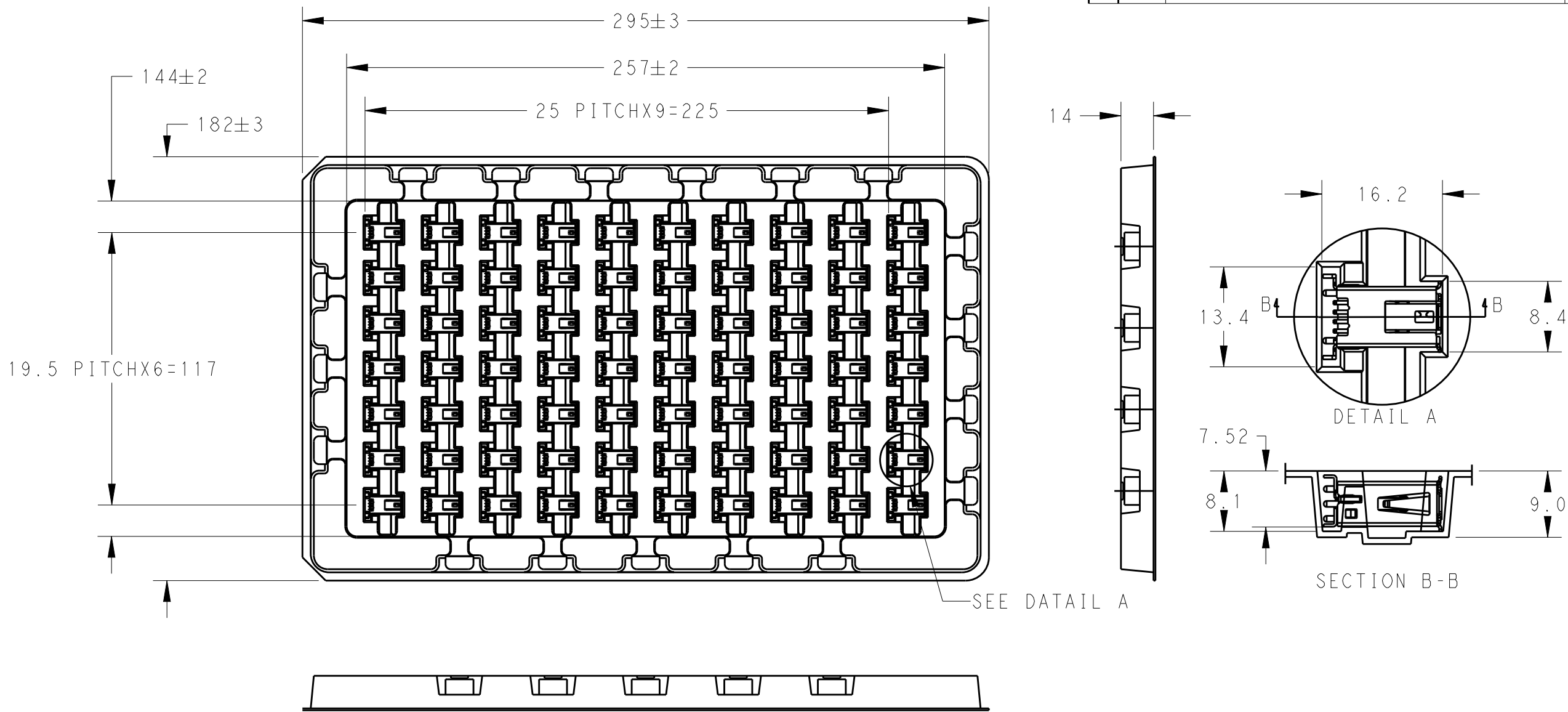
NOTES:  
 1 MATERIAL AND FINISH  
 CONTACT: COPPER ALLOY  
 UNDER ALL SURFACE NICKEL 1.27µm MIN.  
 TOP CONTACT AREA: GOLD 0.5µm MIN  
 SOLDERING AREA: TIN PLATE  
 HOUSING: THERMO PLASTIC(UL94V-0)  
 SHELL: COPPER ALLOY  
 UNDER ALL SURFACE NICKEL  
 TOP ALL SURFACE TIN  
 2 COPLANARITY 0.1 MAX  
 (IN 8 TIPS OF CONTACTS AND 4 PEGS OF SHELL)  
 3 GENERAL TOL.: ±0.3; ±5°

8	TYPE II SMT RECEPTACLE WITH CAP	1-1971885-2
8	TYPE I SMT RECEPTACLE WITH CAP	1-1971885-1
8	TYPE II SMT RECEPTACLE	1971885-2
8	TYPE I SMT RECEPTACLE	1971885-1
POS	DESCRIPTION	PART NO

THIS DRAWING IS A CONTROLLED DOCUMENT.		DWN HOWELL WANG 03MAR2013	TE Connectivity															
DIMENSIONS: mm		CHK DAVID WANG 03MAR2013																
TOLERANCES UNLESS OTHERWISE SPECIFIED:		APVD PETER YIN 03MAR2013	NAME SMT VERTICAL MINI I/O RECEPTACLE 1.27mm PITCH															
<table border="1"> <tr> <td>0 PLC</td> <td>±-</td> </tr> <tr> <td>1 PLC</td> <td>±-</td> </tr> <tr> <td>2 PLC</td> <td>±-</td> </tr> <tr> <td>3 PLC</td> <td>±-</td> </tr> <tr> <td>4 PLC</td> <td>±-</td> </tr> <tr> <td>ANGLES</td> <td>±-</td> </tr> </table>		0 PLC	±-	1 PLC	±-	2 PLC	±-	3 PLC	±-	4 PLC	±-	ANGLES	±-	PRODUCT SPEC 108-106087	SIZE A3	CAGE CODE -	DRAWING NO C-1971885	RESTRICTED TO -
0 PLC	±-																	
1 PLC	±-																	
2 PLC	±-																	
3 PLC	±-																	
4 PLC	±-																	
ANGLES	±-																	
MATERIAL -	FINISH -	APPLICATION SPEC -	WEIGHT -	SCALE 4:1	SHEET 1 OF 3	REV A1												
Customer Drawing																		

THIS DRAWING IS UNPUBLISHED. RELEASED FOR PUBLICATION  
 © COPYRIGHT - BY - ALL RIGHTS RESERVED.



LOC	DIST	REVISIONS			
P	LTR	DESCRIPTION	DATE	DWN	APVD
-	-	SEE SHEET 1	-	-	-



SEE DETAIL A

PACKAGE AS SHOWN	1971885-2 1971885-1
DESCRIPTION	PART NO

NOTE:  
 4 PACKAGE:  
 70PCS PER TRAY FOR 1971885-1 & 1971885-2

THIS DRAWING IS A CONTROLLED DOCUMENT.		DWN	SEE SHEET 1	 TE Connectivity NAME SMT VERTICAL MINI I/O RECEPTACLE 1.27mm PITCH							
DIMENSIONS:		CHK	SEE SHEET 1								
mm		APVD	SEE SHEET 1								
		PRODUCT SPEC	SEE SHEET 1								
TOLERANCES UNLESS OTHERWISE SPECIFIED:		APPLICATION SPEC	-	SIZE	A3	CAGE CODE	-	DRAWING NO	1971885	RESTRICTED TO	-
0 PLC	±-	WEIGHT	-	SCALE	4:1	SHEET	2	OF	3	REV	A1
1 PLC	±-	Customer Drawing									
2 PLC	±-										
3 PLC	±-										
4 PLC	±-										
ANGLES	±-										
FINISH	-										

4

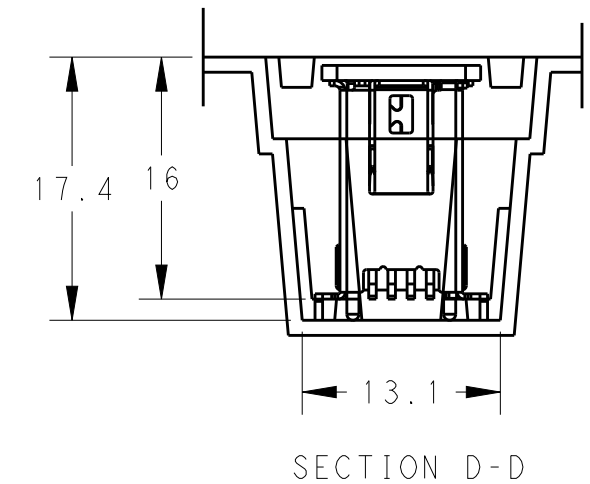
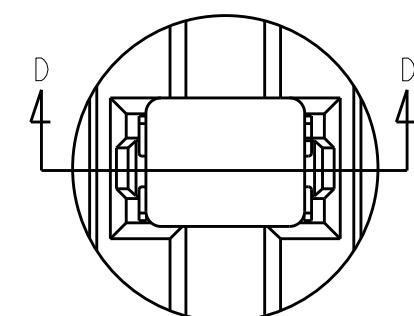
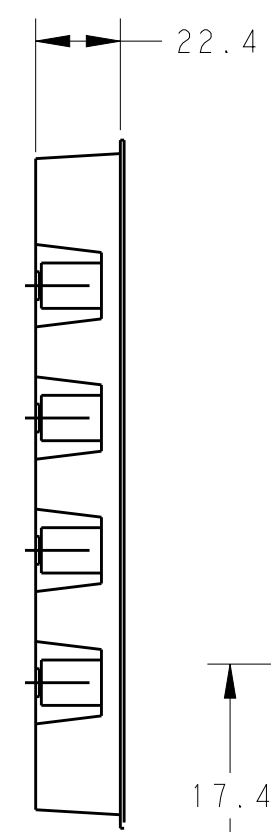
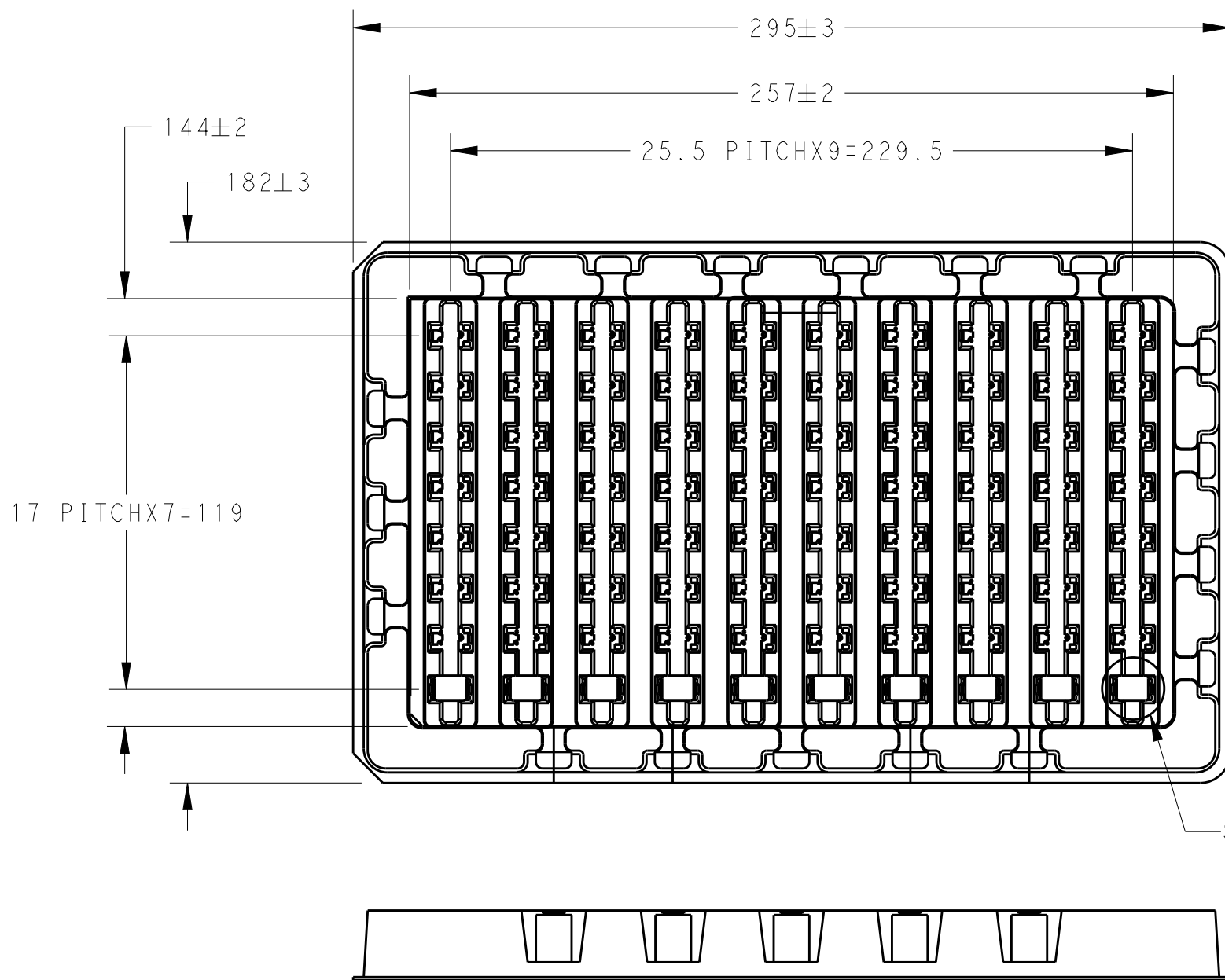
3

2

1

THIS DRAWING IS UNPUBLISHED. RELEASED FOR PUBLICATION  
© COPYRIGHT - BY - ALL RIGHTS RESERVED.


LOC	DIST	REVISIONS			
P	LTR	DESCRIPTION	DATE	DWN	APVD
-	-	SEE SHEET 1	-	-	-



SEE DATA C

NOTE:  
5 PACKAGE:  
80PCS PER TRAY FOR 1-1971885-1 & 1-1971885-2

PACKAGE AS SHOWN	1-1971885-2 1-1971885-1
DESCRIPTION	PART NO

THIS DRAWING IS A CONTROLLED DOCUMENT.		DWN	SEE SHEET 1	 <b>TE Connectivity</b>	NAME SMT VERTICAL MINI I/O RECEPTACLE 1.27mm PITCH
DIMENSIONS: mm		CHK	SEE SHEET 1		
TOLERANCES UNLESS OTHERWISE SPECIFIED:		APVD	SEE SHEET 1		
0 PLC ± - 1 PLC ± - 2 PLC ± - 3 PLC ± - 4 PLC ± - ANGLES ± -		PRODUCT SPEC	SEE SHEET 1		
MATERIAL	-	APPLICATION SPEC	-	SIZE	A3
FINISH		WEIGHT	-	CAGE CODE	-
-		Customer Drawing	SCALE	DRAWING NO	1971885
-		RESTRICTED TO	-	SCALE	-
-		Customer Drawing	SCALE	SHEET	3 OF 3
-		Customer Drawing	SCALE	REV	A1